

# SpeedStile BPW

## SpeedStile BPW

**Bi-Parting Gate for Internal Installation giving a wide walkway to comply with Disability Discrimination requirements**

### Technical Specifications

**Unit Dimensions:** Casework Length (Normally Closed) 1448mm  
(Normally Open) 1932mm  
Casework Height 950mm  
Casework Width 480mm  
Clear Lane 900mm

**Drive:** Motorized

**Materials:** Top: Painted Polyurethane  
Front: Painted Polyurethane  
Standard Finish: Cobalt blue, metallic grey or stainless steel construction.  
Wing Housing: Painted Steel finished to match Top and Front  
Inlay: 304 grade grained Stainless Steel  
Wings: 15mm clear Acrylic  
Side Doors: Cobalt Grey 8.5mm 3 ply laminate safety glass  
Plinth: 304 grade grained Stainless Steel

**Function:** Passage in both directions electronically controlled.

The SpeedStile is available in either Normally Closed (N/C) or Normally Open (N/O) modes.

In N/C the SpeedStile provides a closed lane and will only open upon acceptance of an authorized signal whereas the N/O will only close should an unauthorized passage attempt occur.

**Drive Mechanism:** The wings are moved by mechanical arms. The arms are rotated by a torque shaft connected to the drive unit. The drive unit is a DC motor working in conjunction with a bi-directional encoder. A microprocessor control system guarantees the precise movement and positioning of the wings.

A safety photocell prevents the wings from closing upon an obstruction. Should the normal wing operation be stopped by an obstruction, the controlling logic detects an abnormal condition and reverses the wing to the fully open position.

**Method of Operation:** On receiving a signal from the access control system, or push button, the wings open. If an unauthorized person tries to tailgate or attempts to enter from the opposite direction, the system detects the unauthorized passage and activates the built-in alarm system.

Presence sensing is achieved by 6N<sup>0</sup> infrared sensors for the short cabinet (N/C) and 14N<sup>0</sup> for the long cabinet (N/O)

**Status Lights:** 50mm dia. LED display Status Lights flush mounted within the SpeedStile lid top face. The Green badge symbol is continuously illuminated indicating passage is available. Upon authorization a Green arrow will illuminate in the direction of passage authorization while in the opposite direction a Red cross symbol will illuminate to indicate the unit is not available for use or is already in use.

**Power Failure:** In the event of a power failure the wings will remain in the current position

**Fire Alarm:** Input facility is available for voltage free contact supplied by others to effect fail state.

**Interface:** Potential free contact provided by either cardreader or pushbutton input. Cardreader inhibit and reset outputs signals are available as standard.

The unit has an adjustable time out facility if required, i.e.; The GO signal will be cancelled if the passage through the SpeedStile is not completed within a pre-set time. The Standard default is 8 seconds, adjustable via parameter change.



### Product Description

This award winning range of entrance gates from our Regulate product line is the latest for today's security requirements.

New concepts, new materials, personalisation with a selection of operating systems, and features.

Proven technology, for fast, reliable operation.

"Normally Closed" presents obvious security, while "Normally Open" is for the more subtle presence.

### Users include

- Government
- Retail
- Finance
- Telecommunications
- Information Technology
- Banking
- Publishing
- Leisure
- Petrochemical
- Education

## Regulate

**Power Supply:** 115/230V AC 50/60 Hz

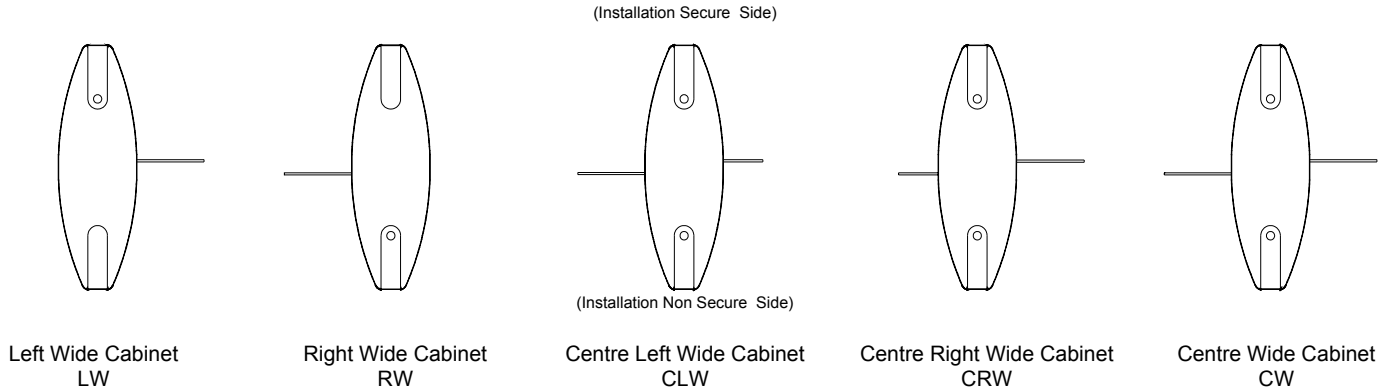
**Power Rating:** Stand by 10 VA  
In operation 300 VA

**Logic Voltage:** 24V DC

**Installation Details:** The SpeedStile is delivered as a fully assembled unit and may require lifting gear for off loading.

**Approximate Weight** NC - Left or Right cabinet (LW or RW) circa 145Kg per cabinet  
NC - Centre cabinet (CLW, CRW or CW) circa 190Kg per cabinet

**Models Available**



**Note** - All cabinet variants are available in either Normally Open or Normally Closed construction

**Accessories and Optional Extras**

**Alternative Materials, Finishes and Custom Design**

- Refer to Gunnebo Entrance Control Ltd for specific material design requirements.
- Alternative PUR RAL colors, finishes and effects.
- Inlay material options.

**Cardreader Mounting** (Please refer to Gunnebo Entrance Control Ltd for feasibility)

- Integration of customer supplied readers into the SpeedStile Top or Front inlays.
- Cardreader Pedestals.

**Battery Back Up**

- On power failure, the battery back up option will allow the wings to open (or close), stop and become inactive. The wings will remain in this position until power is restored.

**Push Button Control**

- Simple console to control SpeedStile wing release. (Suitable to authorise access for persons needing assistance)
- Remote console to specific requirements.
- Casework mounted push button.

**Additional Interface**

- RS 485 Serial Interface

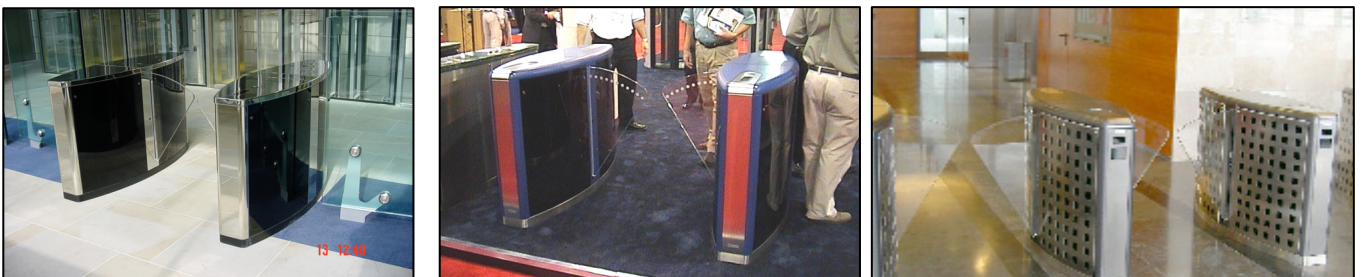
**Traffic Flow Control**

- LED Way Mode Indicator - Switching Red cross and Green arrow to indicate the unit is available for use
- Remote switching of unit for Traffic Flow.

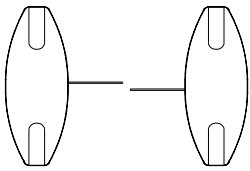
**Counting**

- LCD Counter
- Electro-mechanical Counter

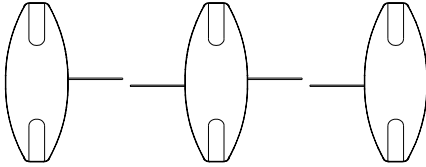
**Installation Examples**



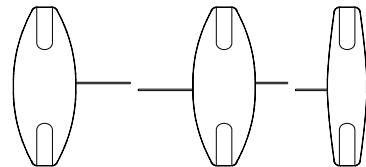
## SpeedStile General Lane Configuration



One Lane configuration comprising of N<sup>o</sup>1 LW and 1N<sup>o</sup> RW cabinets



Two Lane configuration comprising of N<sup>o</sup>1 LW, 1N<sup>o</sup> CW and 1N<sup>o</sup> RW.



Two Lane configuration comprising a mixture of wide and standard cabinets comprising 1N<sup>o</sup> LW, 1N<sup>o</sup> CRW and 1N<sup>o</sup> R (standard 300mm unit)  
Please refer to Gunnebo Mayor for layout advise.

## Status Light User Instructions

### • Normal Use



#### **Green Card** (Rest mode)

- Present personal security card to the reader mounted upon the unit for authorization.
- Wait for the Green Arrow to illuminate and the barrier to open.



#### **Green Arrow** (Authorized use or designated free passage)

- Proceed through the unit.

**Note** - For FREE PASSAGE configuration, authorization is not required and is normally used for EXIT only.



#### **Red Cross** (Unit in use or no passage)

- Wait until the passageway has been vacated and either the Green Card or Green Arrow to illuminate. (See above)

### • Alarm Conditions



#### **Flashing Red Cross and Audible Alarm** (Fraudulent condition)

- This alarm mode will be activated via the following scenarios;

Passageway is already in use and a second person has attempted to follow through without authorization. (Tailgating) OR Passageway is currently in use and you do not have right of passage.

- **Do not panic.**
- Vacate the passageway.
- Wait for the flashing Red Cross to stop flashing and the Audible Alarm to cease.
- Wait for the Green Arrow to illuminate to indicate who has the right of passage.



#### **Flashing Green Card** (Incorrect use mode)

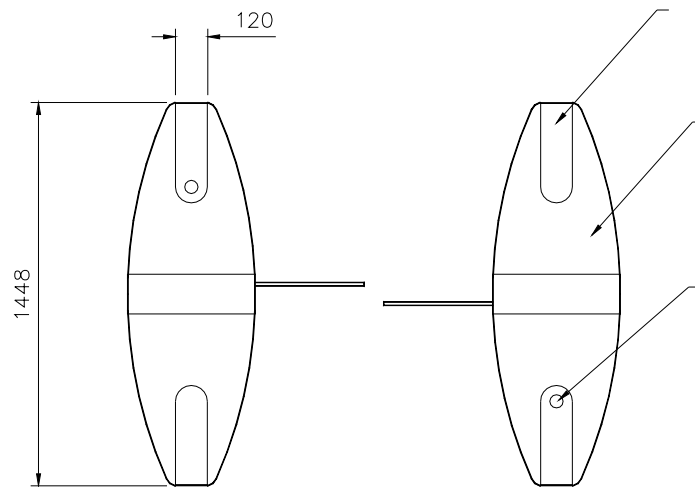
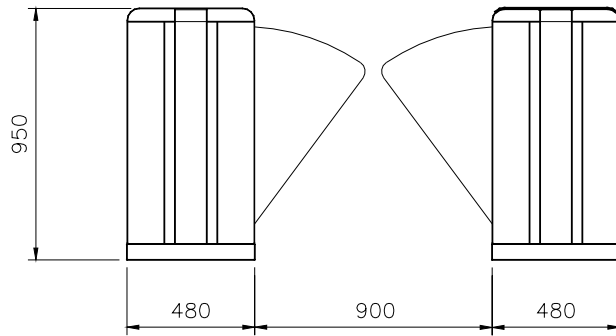
- **Do not panic.**
- Remain in the lane and present personal security card to the reader mounted upon the unit for authorization.
- Authorization of passage will cancel the alarm condition.



#### **Flashing Green Arrow** (Emergency / Fire Exit)

- **Do not panic.**
- There is FREE PASSAGE to evacuate through the gate

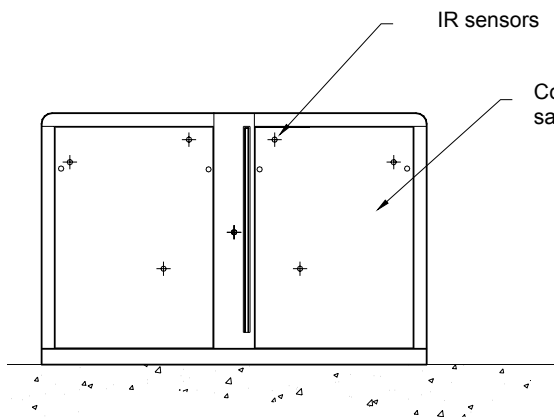
**Site Preparation SpeedStile BP**  
 Short Cabinet Normally Closed only  
 (Panels shown in closed position in Left and Right configuration)



Stainless Steel inlay available to accommodate a wide selection of access control devices. (by others)

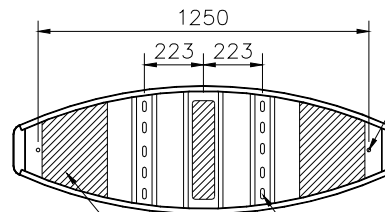
Top and fronts manufactured from self extinguishing polyurethane

LED Status Light Display



IR sensors

Cobalt grey 8.5mm 3 ply Laminated safety glass side doors.



Chassis end fixings (Drill 2N<sup>o</sup> on site to suit)

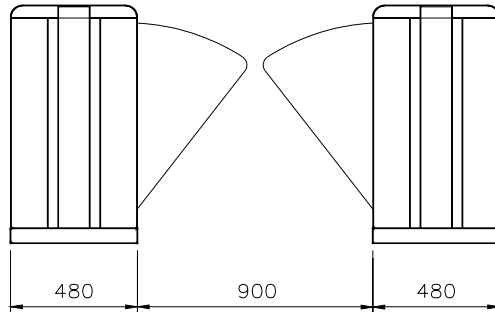
Mechanism and chassis fixing holes dependant upon cabinet variant. (Drill 4N<sup>o</sup> on site to suit.)

Cables and conduits to rise to shaded areas shown.

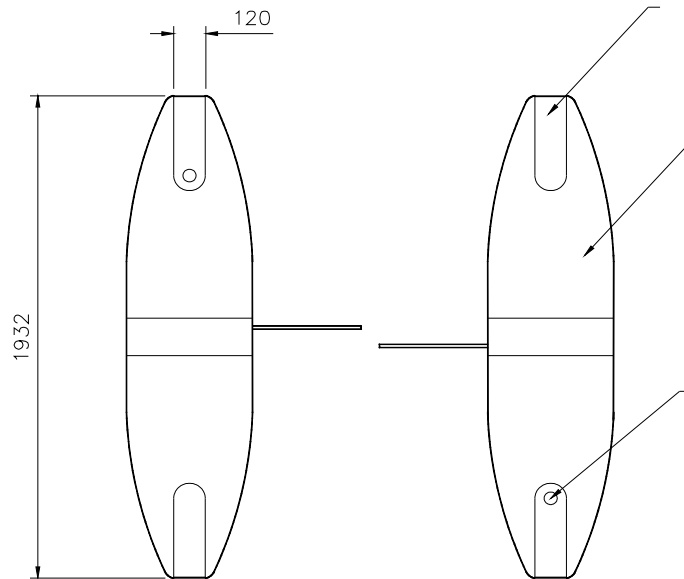
Concrete to BS 5328:1997 specification, type ST5. Base to be flat and level to +/- 5mm over the SpeedStile footprint area. 1500 x 500 x 150 deep min, per cabinet

**Site Preparation SpeedStile BP**

Long Cabinet either Normally Closed or Open  
 (Panels shown in closed position in Left and Right configuration)

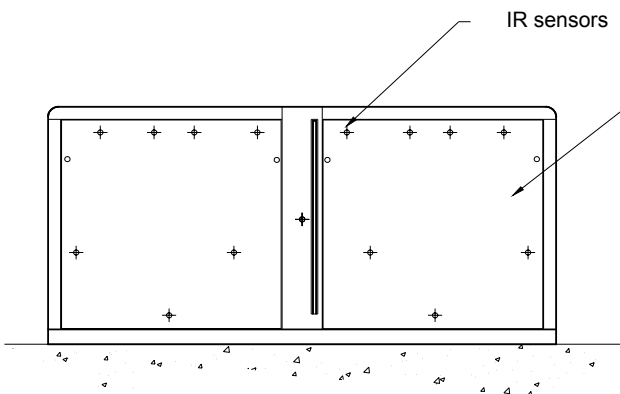


Stainless Steel inlay available to accommodate a wide selection of access control devices. (by others)



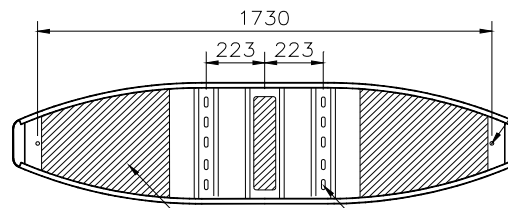
Top and fronts manufactured from self extinguishing polyurethane

LED Status Light Display



IR sensors

Cobalt grey 8.5mm 3 ply Laminated safety glass side doors.



Chassis end fixings (Drill 2N° on site to suit)

Mechanism and chassis fixing holes dependant upon cabinet variant. (Drill 4N° on site to suit.)

Cables and conduits to rise to shaded areas shown.

Concrete to BS 5328:1997 specification, type ST5. Base to be flat and level to +/- 5mm over the SpeedStile footprint area. 1500 x 500 x 150 deep min, per cabinet

**IMPORTANT**

- Any horizontal pipe or conduit runs below the SpeedStile must be at least 140mm below FFL.

## Flow Rates

Reader Device	Number per minute
Insertion type	TBA
Insertion type with PIN code keypad	TBA
Swipe type	TBA
Swipe type with PIN code keypad	TBA
Proximity 'Hands Free'	TBA

- Please note the figures are approximate and must be confirmed with Gunnebo Entrance Control Ltd. Figures quoted are for one person per complete passage per lane and per minute. It is assumed the access control authorization response is instantaneous. Flow rates will increase with multiple passage use.

For sales enquiries please contact:



---

### Competence Centre Entrance Control

Gunnebo Entrance Control Ltd. Bellbrook Business Park, Uckfield, East Sussex, TN22 1QQ, UK.  
Tel +44 (0) 1825 761022 Fax +44 (0) 1825 763835  
E-mail [info.entrancecontrol@gunnebo.com](mailto:info.entrancecontrol@gunnebo.com)  
Web [www.gunnebo.com](http://www.gunnebo.com)



### A COMPANY WITHIN THE GUNNEBO GROUP

HEAD OFFICE SWEDEN  
Gunnebo AB, Box 5181, SE-402 26 Goteborg, SWEDEN. Tel +46-31 83 68 00, Fax +46-31 83 68 10

[www.gunnebo.com](http://www.gunnebo.com)

Note: In pursuit of its policy of continuous refinement and improvement, Gunnebo Entrance Control Ltd reserves the right to modify design and details.